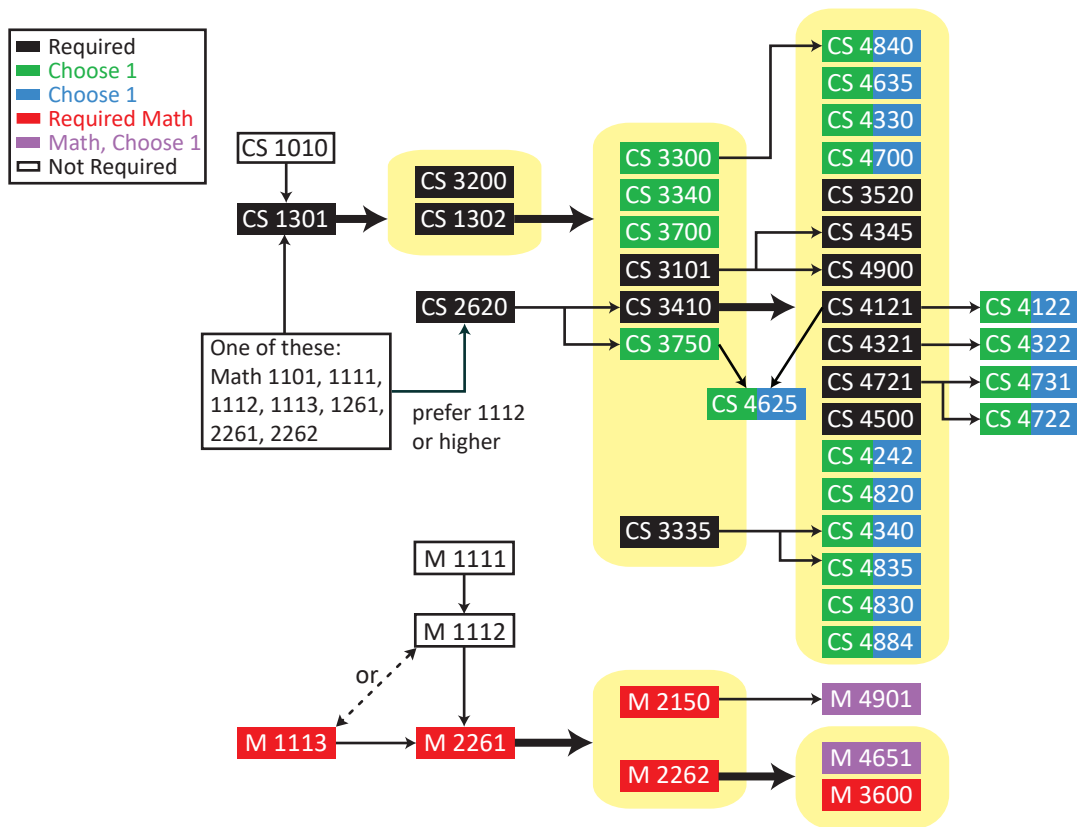


BS in Computer Science



Science Requirements:

1. Must be one of the following four (Area D.2.a) sequences :

Biol 1107/L & Biol 1108/L
 Chem 1211/L & Chem 1212/L
 Phys 1111K & Phys 1112K
 Phys 2211K & Phys 2212K

2. Can be any of one these (Area D.1) in a different discipline from the sequence above (or can be another Area D.2.a science):

Astr 1010K, 1020K
 Biol 1010/20L, 1030/40L, 1951H, 1952H
 Chem 1010, 1151K, 1152K
 Geog 1112K, 1113K
 Geol 1121K, 1122K
 Engr 2320 (3 hrs, additional required hour moves to electives)